

MEGANITE®
Acrylic Solid Surface

SINKS & BASINS

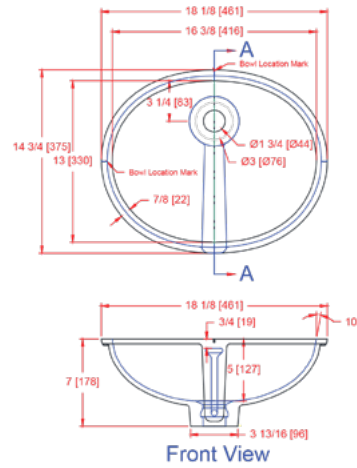
MADE FROM CASTED
ACRYLIC-POLYESTER BASED MATERIAL



HEALTHCARE DESIGN



Vanity Options

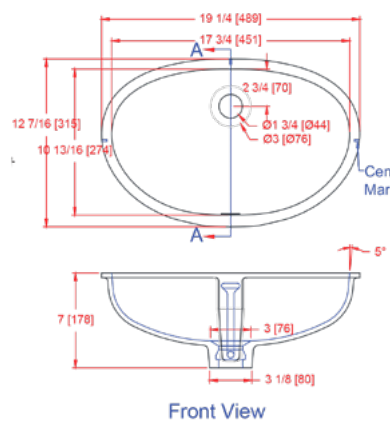
  **Oval Vanity Bowl**
BS-7810
I.D.: 16 3/8" x 13" x 5"
(416 x 330 x 127mm)



(with integrated overflow)
Comparable to Corian 810P

* Available without overflow on special order.
Sink order model is BS-7810-NO

  **Oval Universal Bowl**
BS-7816
I.D.: 17 3/4" x 10 13/16" x 5"
(451 x 274 x 127mm)

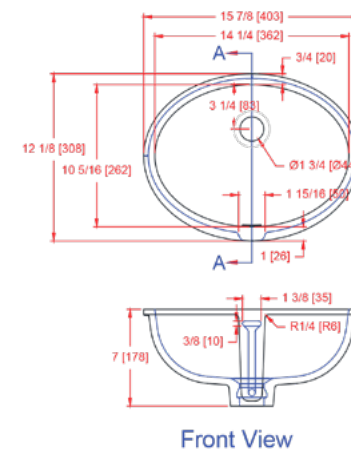


(with integrated overflow)
Comparable to Corian 816P

* Available without overflow on special order.
Sink order model is BS-7816-NO

Vanity Options

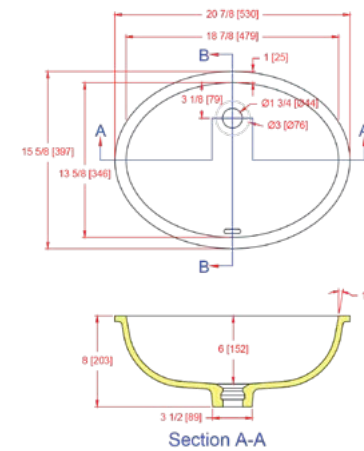
  **Small Oval Vanity Bowl**
BS-7820
I.D.: 14 1/4" x 10 5/6" x 5"
(362 x 262 x 127mm)



(with integrated overflow)
Comparable to Corian 820P

* Available without overflow on special order.
Sink order model is BS-7820-NO

  **Large Oval Bowl**
BS-7815
I.D.: 18 7/8" x 13 5/8" x 6"
(479 x 346 x 152mm)

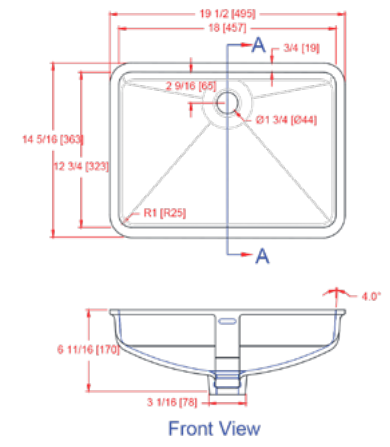


(with integrated overflow)
Comparable to Corian 815P

* Available without overflow on special order.
Sink order model is BS-7815-NO

UNIVERSAL DESIGN

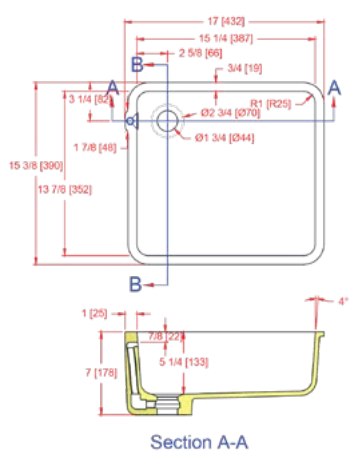
  **Rectangle Vanity Bowl**
BS-7812
I.D.: 18" x 12 3/4" x 5"
(457 x 323 x 127mm)



(with integrated overflow)
Comparable to Corian 8254

* Available without overflow on special order.
Sink order model is BS-7812-NO

  **Rectangle Ramp Bowl**
BS-7825
I.D.: 15 1/4" x 13 7/8" x 5 1/4"
(387 x 352 x 133mm)



(with integrated overflow)

* Available without overflow on special order.
Sink order model is BS-7825-NO



Solid Source Contact Information

1.800.545.0082
info@meganite.ca
www.meganite.ca
1070 Kamato Road Units 2-6, Mississauga, ON L4W 2W5

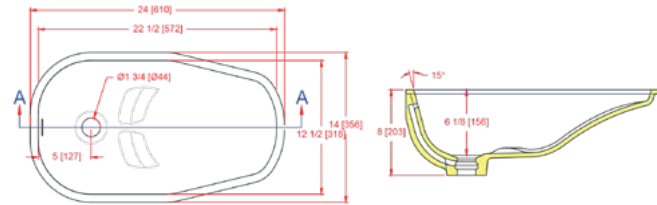
BABY BATH CONTOURED

Speciality Options

With the contoured back and baby bottom hugging design, this bath is the first bath truly designed with the baby's comfort in mind. The contoured bottom is designed to help keep the baby in place while being bathed. The warmth and smoothness of the solid surface is ideal for the application.



BS-7813

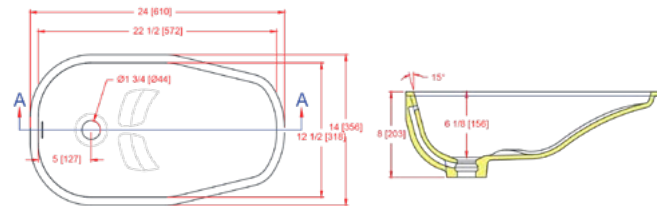


I.D.: 22 1/2" x 12 1/2" x 6 1/8"
(572 x 318 x 156mm)
*Depth does not include counter top thickness

(with integrated overflow)



BS-7813-NO



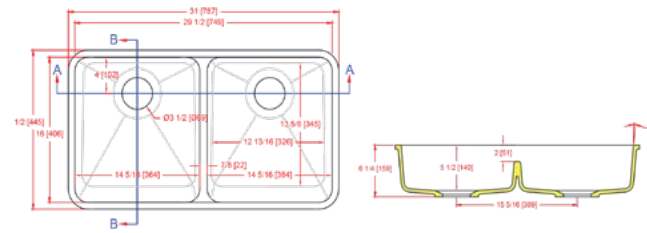
I.D.: 22 1/2" x 12 1/2" x 6 1/8"
(572 x 318 x 156mm)
*Depth does not include counter top thickness

DOUBLE OPTIONS



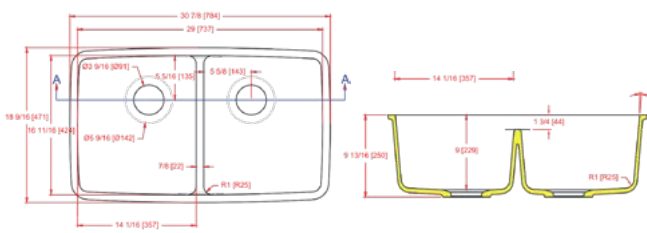
Universal Double Kitchen Sink
KS-7916

I.D.: 29 1/2" x 16" x 5 1/2"
(749 x 406 x 140mm)



I.D.: 29" x 16 11/16" x 9"
(737 x 424 x 229mm)

Comparable to Corian 850P



Double Equal Kitchen Sink
KS-7850

NOTES

- Measurements are inside-bowl dimension: length x width x depth.
- Actual product measurement may vary 5 mm due to product enhancement.
- Photos of Meganite color samples can look different from actual color samples.
- ADA compliant when installed according to guidelines.

AVAILABLE COLORS

White

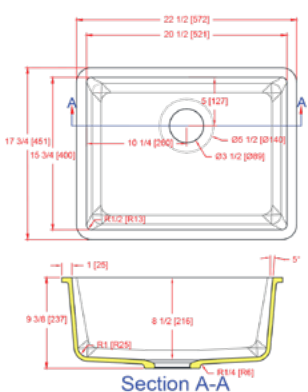
Ivory

Biscuit

SINGLE OPTIONS



Single Kitchen Sink
KS-7871

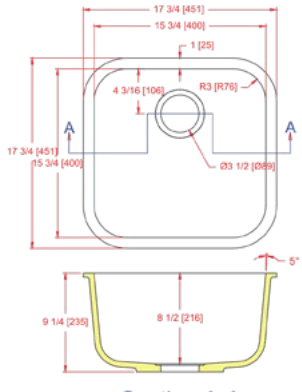


I.D.: 20 1/2" x 15 3/4" x 8 1/2"
(521 x 400 x 216mm)

Comparable to Corian 871P



Utility Sink with
Drain Offset to Back
KS-7804

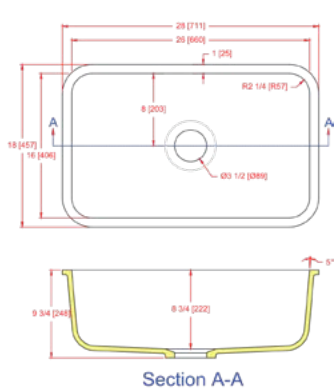


I.D.: 15 3/4" x 15 3/4" x 8 1/2"
(400 x 400 x 216mm)

Comparable to Corian 804P



Large Single Kitchen Sink
KS-7881

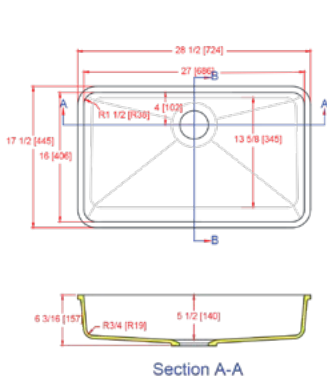


I.D.: 26" x 16" x 8 3/4"
(660 x 406 x 222mm)

Comparable to Corian 881P



Universal Single
Kitchen Sink
KS-7716



I.D.: 27" x 16" x 5 1/2"
(686 x 406 x 140mm)

Comparable to Corian 5610

	Sink Draft	RouterBitsNow.com				Velepec			Amana		Whiteside	
		1/8" Radius	1/2" Radius	Bit Draft	Bearing	1/2" Radius	Bit Draft	Bearing	3/8" Radius	Bit Draft	1/2" Radius	Bit Draft
Vanity Option												
BS-7820	8°	RBN-826-15125	820-1115	15°	BR-995A15	30-157TG	15°	12-615	57268	14°	2910	10°
BS-7820-NO	8°	RBN-826-15125	820-1115	15°	BR-995A15	30-157TG	15°	12-615	57268	14°	2910	10°
BS-7812	4°	RBN-826-10125	820-1110	10°	BR-995A10	30-155TG	10°	12-610	57267	10°	2910	10°
BS-7812-NO	4°	RBN-826-10125	820-1110	10°	BR-995A10	30-155TG	10°	12-610	57267	10°	2910	10°
BS-7815	10°	RBN-826-15125	820-1115	15°	BR-995A15	30-157TG	15°	12-615	57268	14°	2915	15°
BS-7815-NO	10°	RBN-826-15125	820-1115	15°	BR-995A15	30-157TG	15°	12-615	57268	14°	2915	15°
BS-7825	4°	RBN-826-10125	820-1110	10°	BR-995A10	30-155TG	10°	12-610	57267	10°	2910	10°
BS-7825-NO	4°	RBN-826-10125	820-1110	10°	BR-995A10	30-155TG	10°	12-610	57267	10°	2910	10°
BS-7810	10°	RBN-826-15125	820-1115	15°	BR-995A15	30-157TG	15°	12-615	57268	14°	2915	15°
BS-7810-NO	10°	RBN-826-15125	820-1115	15°	BR-995A15	30-157TG	15°	12-615	57268	14°	2915	15°
BS-7816	5°	RBN-826-10125	820-1110	10°	BR-995A10	30-155TG	10°	12-610	57267	10°	2910	10°
BS-7816-NO	5°	RBN-826-10125	820-1110	10°	BR-995A10	30-155TG	10°	12-610	57267	10°	2910	10°
Speciality Option												
BS-7813	15°	RBN-826-20125	820-1110	20°	BR-995A20	30-140TG	20°	12-620	57269	18°	2918	18°
BS-7813-NO	15°	RBN-826-20125	820-1110	20°	BR-995A20	30-140TG	20°	12-620	57269	18°	2918	18°
Single Option												
BS-7871	5°	RBN-826-10125	820-1110	10°	BR-995A10	30-155TG	10°	12-610	57267	10°	2910	10°
KS-7804	5°	RBN-826-10125	820-1110	10°	BR-995A10	30-155TG	10°	12-610	57267	10°	2910	10°
KS-7881	5°	RBN-826-10125	820-1110	10°	BR-995A10	30-155TG	10°	12-610	57267	10°	2910	10°
KS-7716	5°	RBN-826-10125	820-1110	10°	BR-995A10	30-155TG	10°	12-610	57267	10°	2910	10°
Double Option												
KS-7916	5°	RBN-826-10125	820-1110	10°	BR-995A10	30-155TG	10°	12-610	57267	10°	2910	10°
KS-7850	5°	RBN-826-10125	820-1110	10°	BR-995A10	30-155TG	10°	12-610	57267	10°	2910	10°

This chart is provided as a reference only. While this reference was provided in the interest of the fabricators, it is not guaranteed and the author(s) bears no responsibility for the final outcome. It is recommended that each bit be checked and qualified prior to any production.